

Wall lamp / Technical specifications

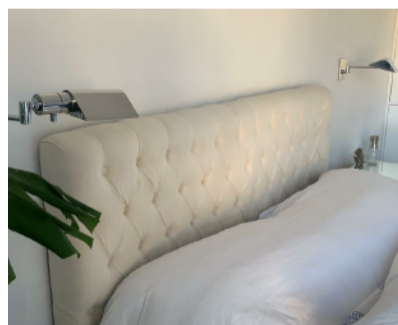
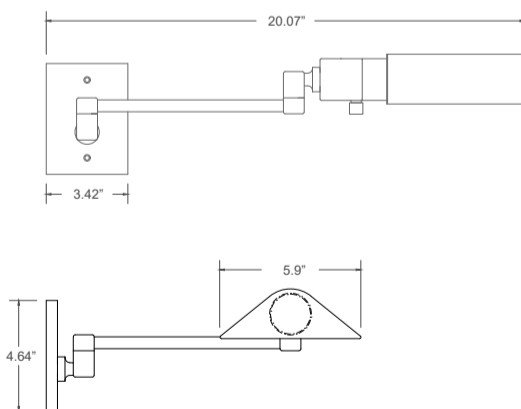
Face - 809

Wall lamp with an articulated arm and adjustable shade, allowing to adjust the light direction to suit your needs



- Finish: Glossy Bronze / Satin Bronze / Chrome / Satin Nickel
Custom: Old Bronze / Black / White / Graphite
- ON-OFF switch on lamp holder
- E27 lamp holder
- Warranty: 1 year
- IRAM / UL / CE standards
- Made in Argentina / Export product

MODEL	FACE
PRODUCT CODE	809
MEASUREMENTS	Extension: 20.07" / Height: 5.11"
MATERIALS	Brass
LAMP	E27 lamp holder
FINISH	Glossy Bronze / Satin Bronze / Chrome / Satin Nickel <i>Custom: Old Bronze / Black / White / Graphite</i>



This document is subject to copyright by Lumendizabal SRL.

Mendizabal products are subject to possible variations in components and/or finishes, as well as technical modifications to improve the product.

Lumendizabal SRL reserves the right to change product characteristics without prior notice.

FACTORY AND ADMINISTRATION OFFICES

Gervasio Posadas 2557
(CP1605) – Vicente López
Buenos Aires – Argentina
www.mendizabal.com.ar

+54 11 4721 9584
+54 11 4762 3275
Whatsapp +54 9 11 4998-5106
sales@mendizabal.com.ar